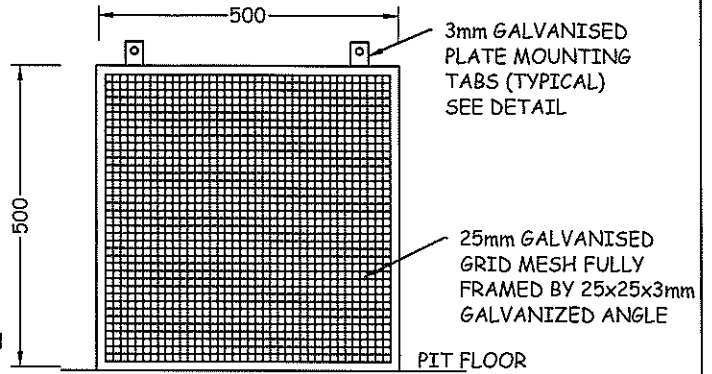


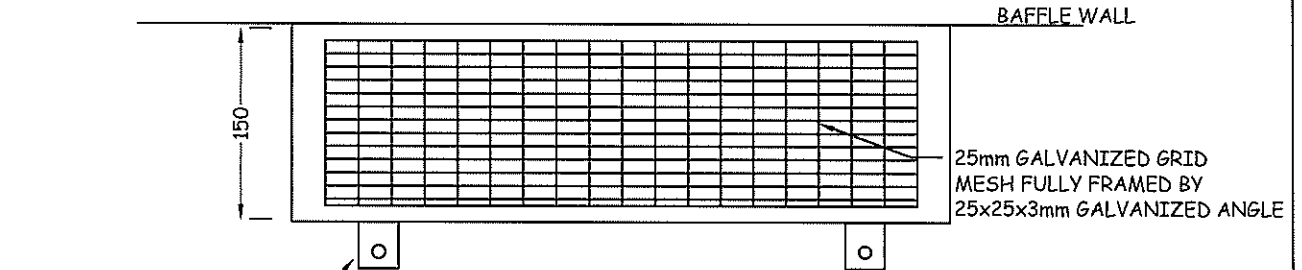
SIDE ELEVATION

NOT TO SCALE



FRONT ELEVATION

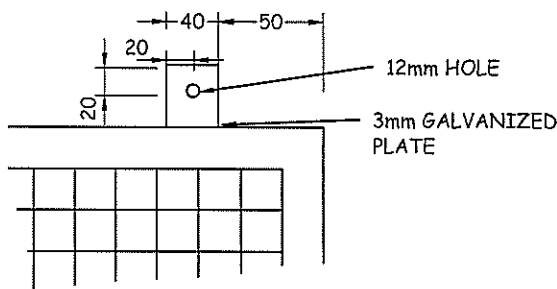
NOT TO SCALE



PLAN VIEW

NOT TO SCALE

3mm GALVANIZED PLATE MOUNTING TABS (TYPICAL) SEE DETAIL



TYPICAL MOUNTING TAB DETAIL

NOT TO SCALE

NOTES

1. ENTIRE TRASH GRATE ASSEMBLY IS TO BE HOT DIPPED GALVANIZED (AS/NZ 4680) AFTER MANUFACTURE
2. TRASH GRATE IS TO BE FIXED TO THE BAFFLE WALL AND PIT FLOOR BY THE FOUR MOUNTING TABS AS SHOWN BY 10mm DIA GALVANIZED MASONRY ANCHORS
3. THE TRASH GRATE ASSEMBLY SHALL FIT FLUSH AGAINST BAFFLE WALL AND PIT FLOOR
4. THIS DRAWING SHOWS GUIDELINE DETAILS ONLY. FINAL DESIGN TO BE PREPARED BY AN ENGINEER TO THE SATISFACTION OF THE RESPONSIBLE AUTHORITY

CITY OF MONASH



FLOW CONTROL PIT LITTER GRATE DETAILS

DIRECTOR INFRASTRUCTURE:

[Signature]

DRAWN: M.R. AUG 2013

SCALE:

SHEET:

DWG NAME: STDWG D10B

N.T.S.

D10B

REV:A JUN15