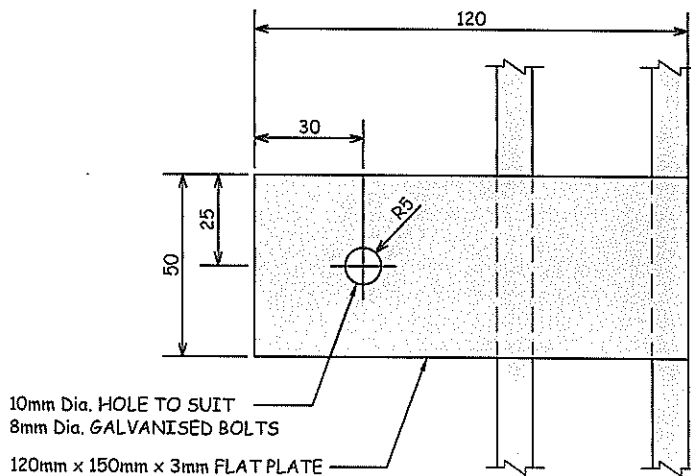


**SPECIAL GRATING GRILLE TO BE INSTALLED  
WITHIN PIT FRAME (GALVANISED)**

SCALE 1:10



**HOLDING DOWN GALVANISED BRACKETS  
(2 PER GRILLE)**

SCALE 1:2

CITY OF MONASH



DIRECTOR INFRASTRUCTURE:

*[Signature]*

**GRATING GRILLE TO FIT WITHIN  
STANDARD SIDE ENTRY PIT  
FRAME**

DRAWN:  
W.Du Feb 2011

SCALE: N.T.S.

SHEET:  
D11

DWG NAME:  
STDWG D11

21500

REV: B JUN15