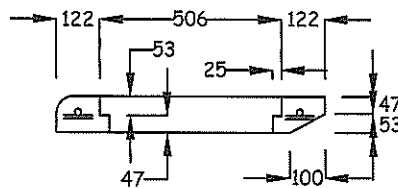


25 x 50 LIFTING HOLES CENTRALLY LOCATED AS SHOWN

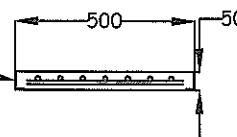
RL718 MESH
40 COVER
BOTTOM

PLAN



SECTION B-B

50 x 25 x 3 GALVANISED ANGLE BOTH LONG & SHORT EDGES OF LID

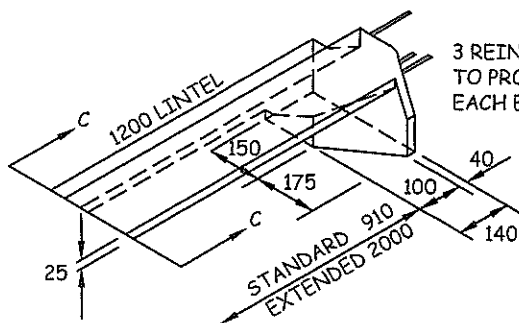


SL52 MESH SHALL BE WELDED TO ANGLE CENTRALLY AS SHOWN

LID SECTION

NOTE: LID LENGTH = 744 mm

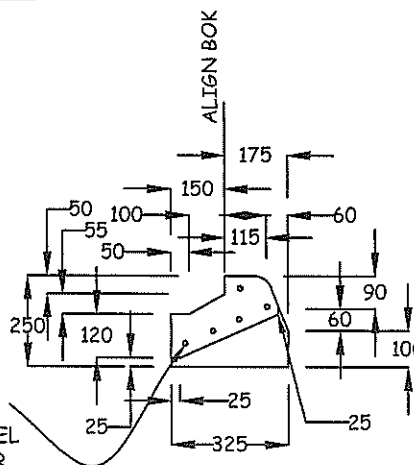
FRAME & LID DETAILS



ISOMETRIC VIEW

3 REINFORCING BARS TO PROTRUDE 150 EACH END OF LINTEL

5 x N12 REINFORCING BARS FOR STANDARD LINTEL OR 3 x N16 FOR EXTENDED LINTEL MINIMUM COVER 25mm BOTTOM



SECTION C-C

PRECAST KERB LINTEL

NOTES :

1. REFER TO SHEET D2 FOR STANDARD PIT DIMENSIONS
2. FOR PITS DEEPER THAN 1.0 m STEP IRONS AT 300 mm CENTRES SHALL BE INSTALLED (FIRST STEP IRON AT 450 mm FROM PIT FLOOR)
3. PITS OVER 1.5 m TO BE CORBELLED TO SUIT STANDARD FRAME & LID.
4. REFER TO STANDARD DRAWING D1 & D2 FOR PIT DETAILS.
5. ALL CONCRETE TO BE N32 STRENGTH GRADE.

CITY OF MONASH



ASSOCIATED PRECAST
CONCRETE SECTIONS FOR
SIDE ENTRY PITS

DIRECTOR INFRASTRUCTURE:

DRAWN:
W.Du March 2003

SCALE: 1:20

SHEET:

DWG NAME:
STDWG D03

21500

D 03

REV:A JUN15